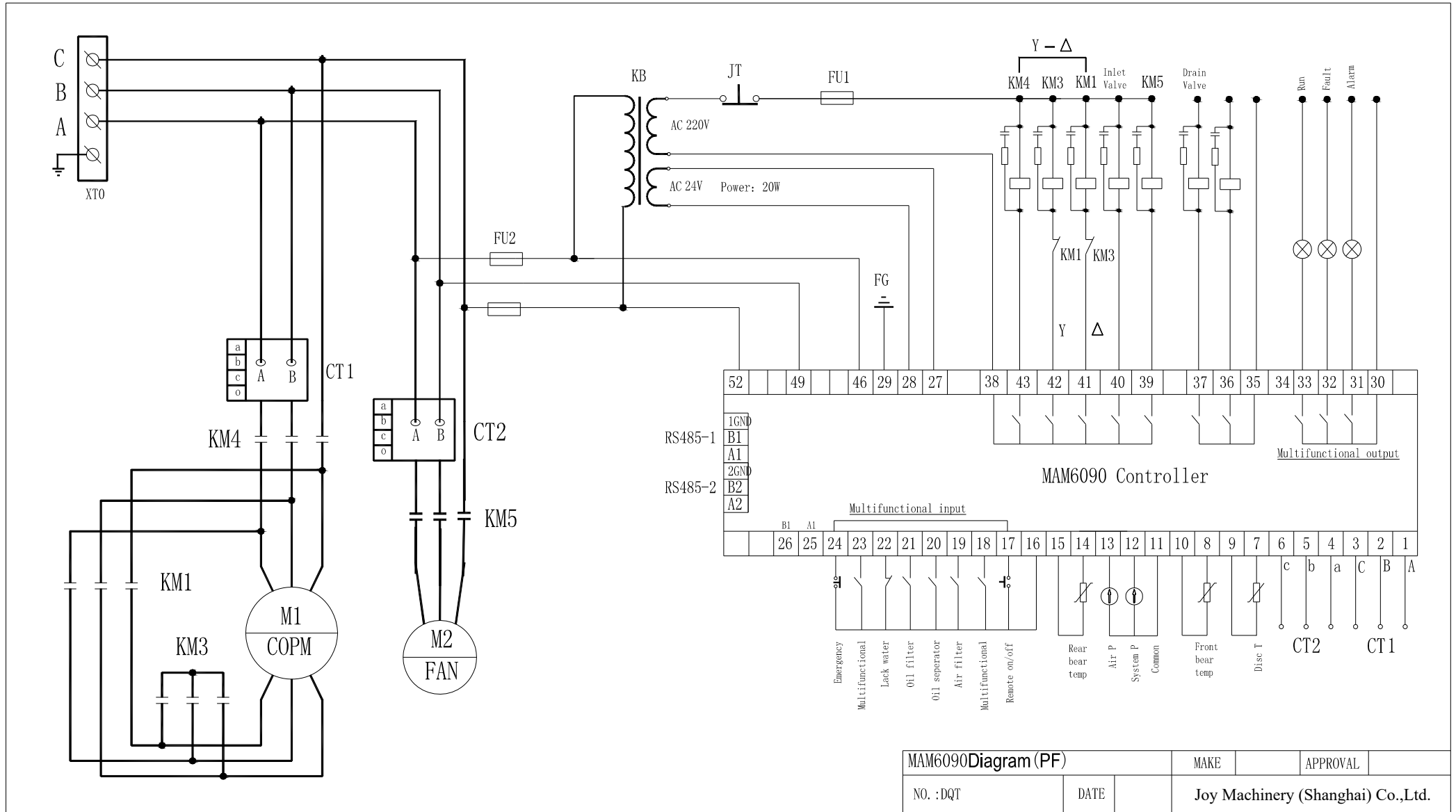
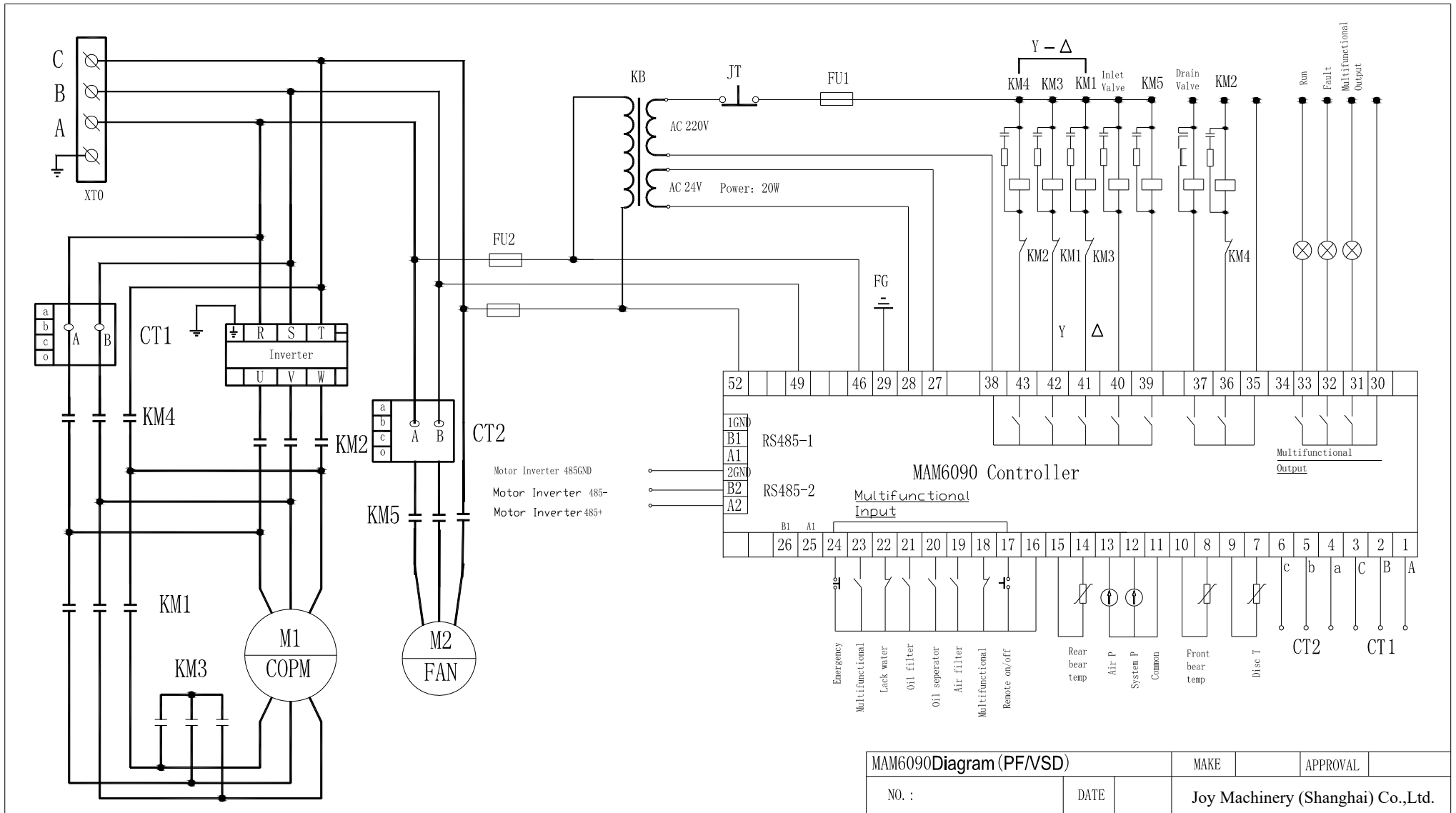


10, Schematic Diagram

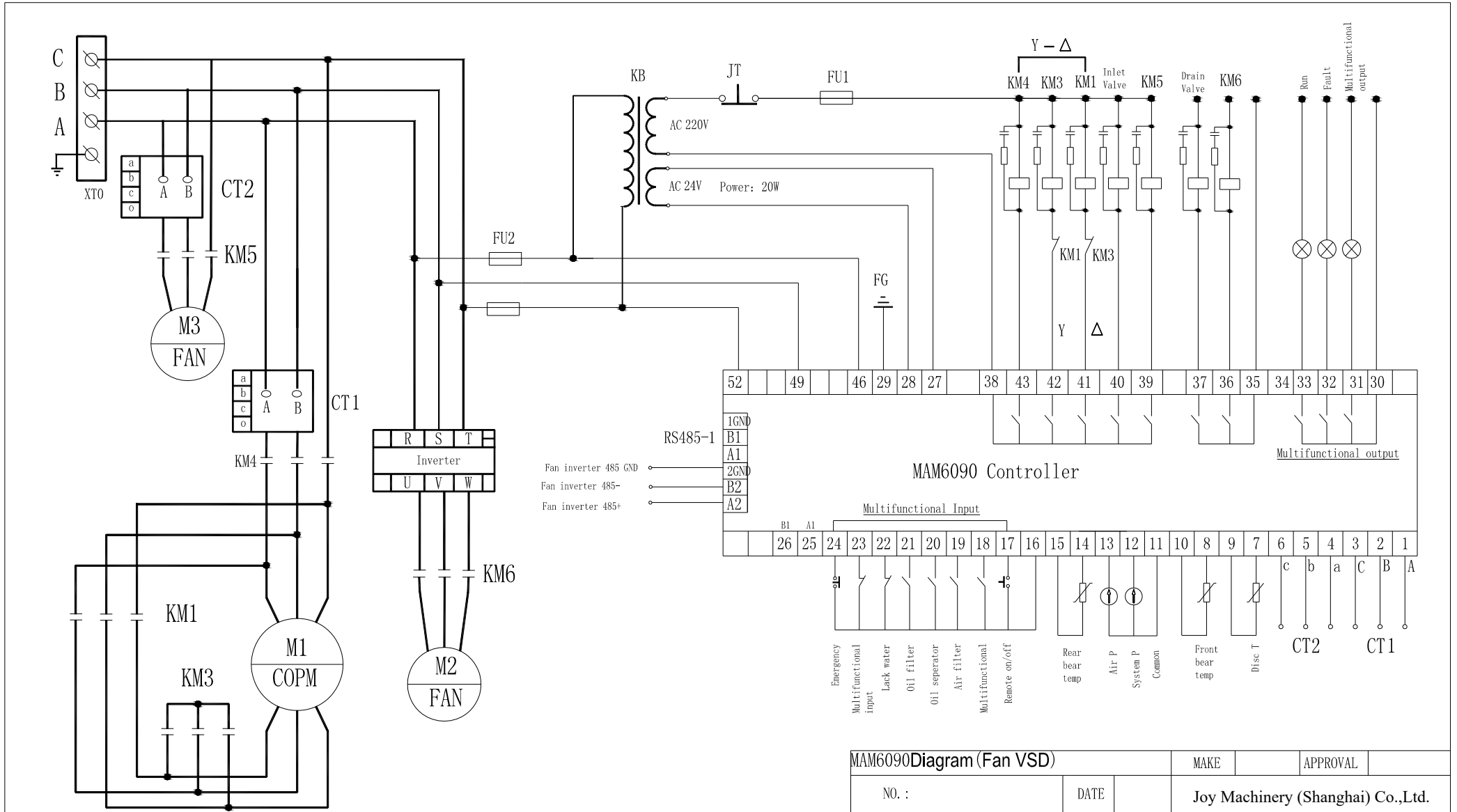
10.1PF





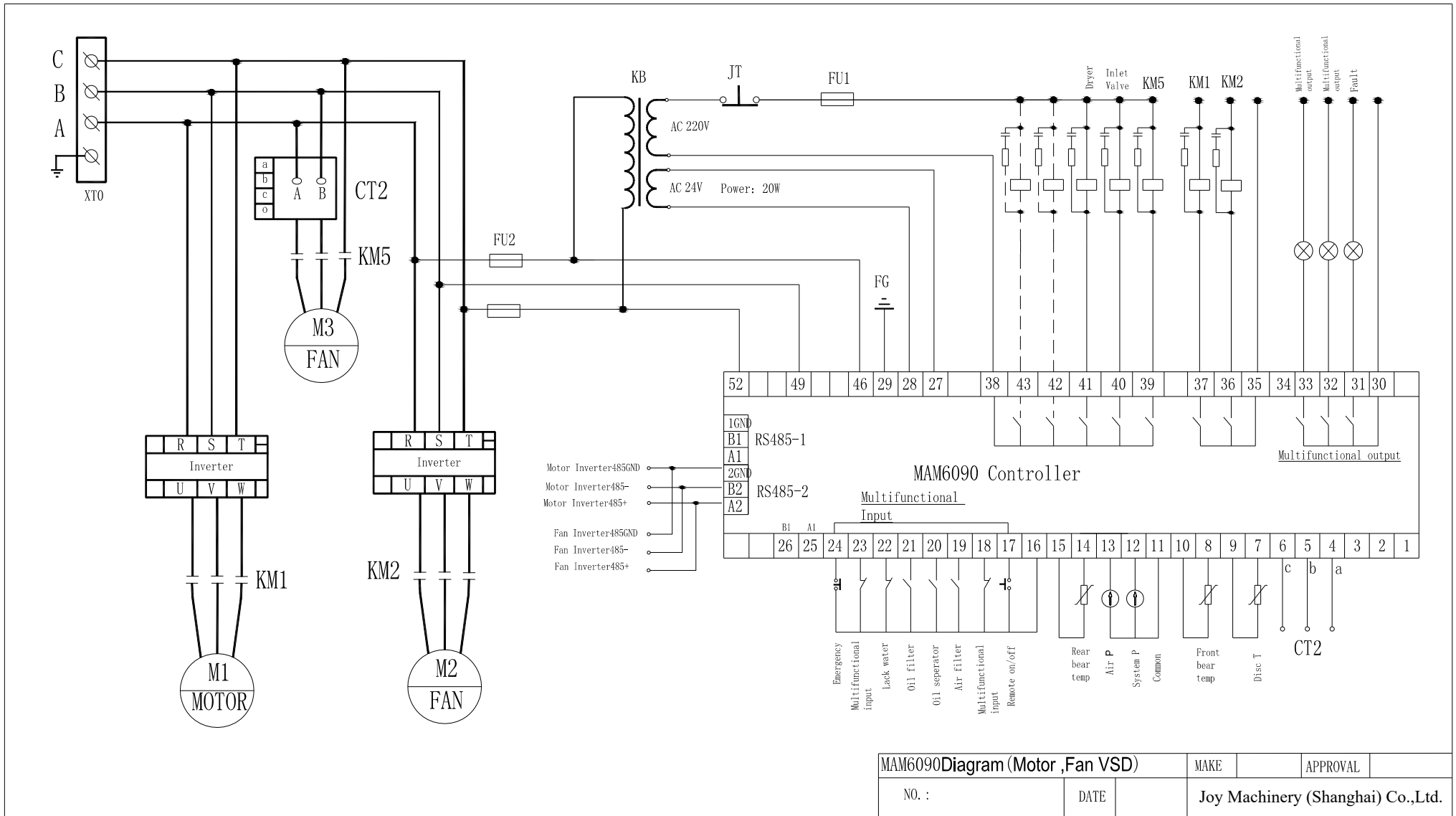
MAM6090Diagram (PF/VSD)		MAKE	APPROVAL
NO. :	DATE	Joy Machinery (Shanghai) Co.,Ltd.	

10.3FAN VSD



MAM6090Diagram (Fan VSD)		MAKE	APPROVAL
NO. :	DATE	Joy Machinery (Shanghai) Co.,Ltd.	

10.4 MOTOR /FAN VSD



10.5SOFT START

